

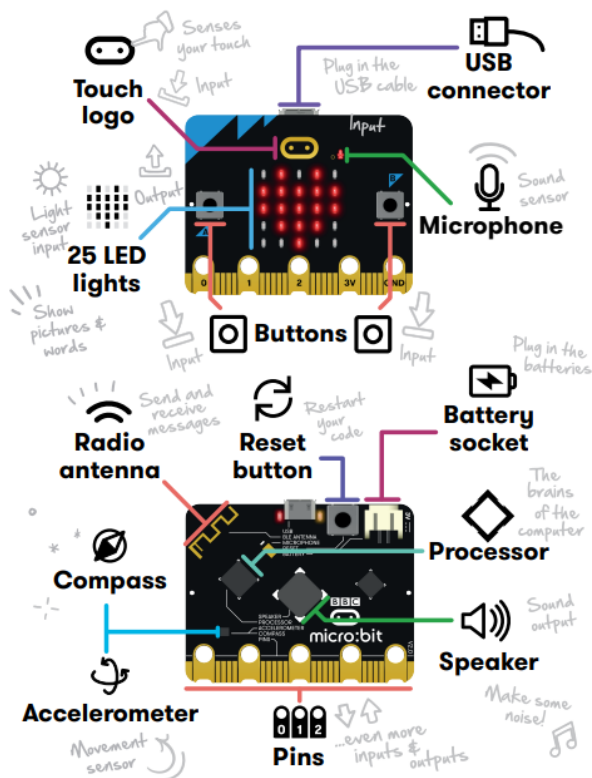


Y3 Thinking like a Computer Scientist

Microbit

Key Knowledge

- Identify the main components of a microbit and describe their functions.
- Understand how to program an animation using the LED lights.
- Demonstrate the ability to debug simple coding errors in their programs.
- Evaluate how successful my animation was.



Microbit	A small programmable computer designed to help children learn coding and electronics.
Program code	A set of instructions written in a specific language that tells a computer what to do.
Algorithm	A step-by-step procedure for solving a problem or completing a task
Decompose	The process of breaking a problem down into smaller, more manageable parts.
Sequence	The specific order in which instructions or steps are carried out in a program.
LED	A Light Emitting Diode, a small light that can be lit up in different colours using a microbit.
Output	Information or signals that come out from a computer or device, such as sound or lights.

Learning Questions

What is a Microbit and how can it be used ?

How can I make my animation?

How can I make my simple animation?

How successful was my project?